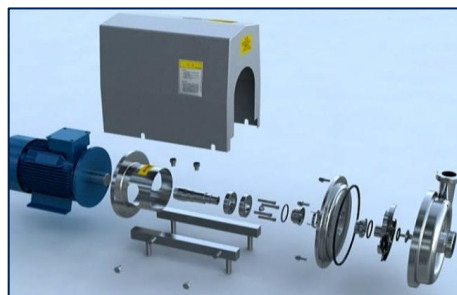


Sanitary Pump Range



 1300 886 477
 winerypumpsdirect.com.au



INTRODUCTION.....	3
SPARE PARTS.....	3
WPD-06 SANITARY CENTRIFUGAL PUMP	4
WPD-08 SANITARY CENTRIFUGAL PUMP	5
WPD-10 SANITARY CENTRIFUGAL PUMP	6
WPD-12 SANITARY CENTRIFUGAL PUMP	7
WPD-13 SANITARY CENTRIFUGAL PUMP	8
WPD-15 SANITARY CENTRIFUGAL PUMP	9
WPD-18 SANITARY CENTRIFUGAL PUMP	10
WPD-20 SANITARY CENTRIFUGAL PUMP	11
WPD-25 SANITARY CENTRIFUGAL PUMP	12

Introduction

The MSS WPD Sanitary pump range is ideal for moving pumped media in a range of industries including dairy, beer, beverage, wine and pharmaceutical.

The WPD range is a viable and cost-effective alternative to more established brands.

This range of pumps is suitable for moving low to medium viscosity solutions including suspended and corrosive fluids.

The pumps can be fitted with single state, single suction and open style impellers.

Due to the nature of its design, resistance is reduced and unhygienic dead angle is thoroughly eliminated and is gentle on the product.



All the pumps in the range are designed with CIP in mind and feature easy access for cleaning

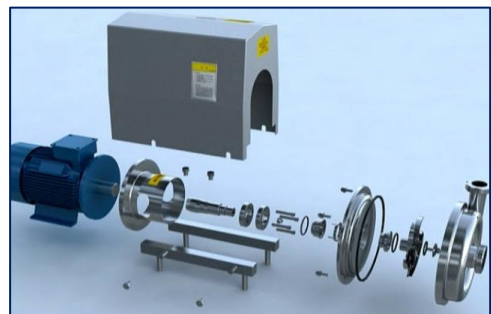
The WPD range comes as standard with ABB motor, cleanable sanitary mechanical seal, either single or flushed.

WPD10 to WPD25 can be fitted with double mechanical seals where the application requires it. All wetted parts of the pump are 316L, with other components including the shell cover manufactured from 304.

Simple and easy to maintain, the pump comes with four adjustable feet for easy mounting or can be supplied on a lightweight 304 trolley (as pictured above) and can be fitted with a range of control gear and cable lengths to meet your specific requirements.

Applications Include:

- ✓ Wine
- ✓ Beer
- ✓ Dairy
- ✓ Chemical
- ✓ Pharmaceutical



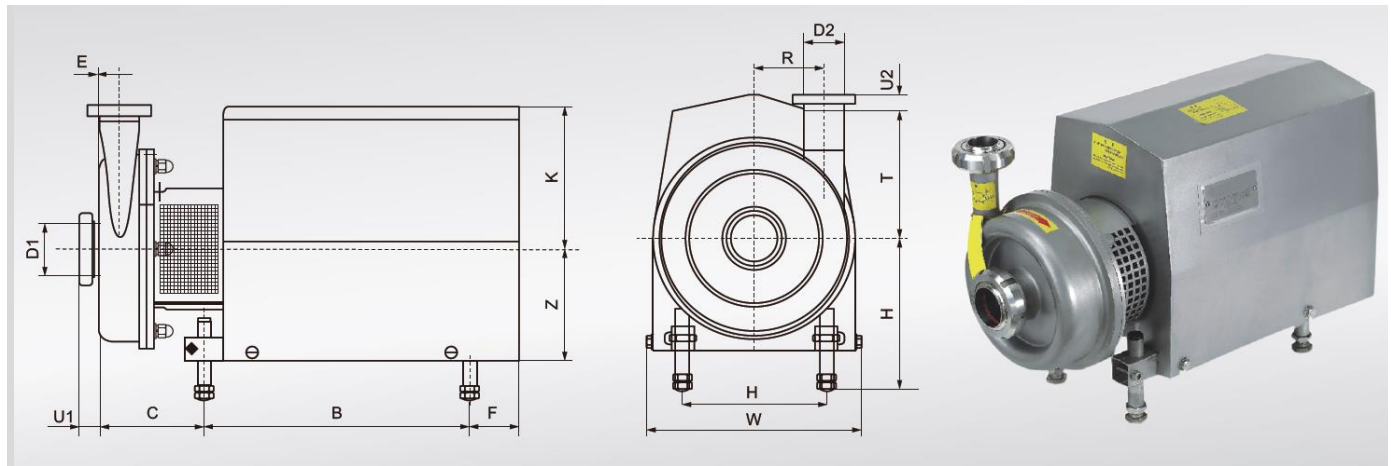
Spare Parts

A full range of spare parts is available from stock. These can be viewed, priced and ordered via our webstore by clicking [here](#)

If you wish to discuss your application or to obtain feedback on this range from existing users, please do not hesitate to contact our office below.



WPD-06 Sanitary Centrifugal Pump

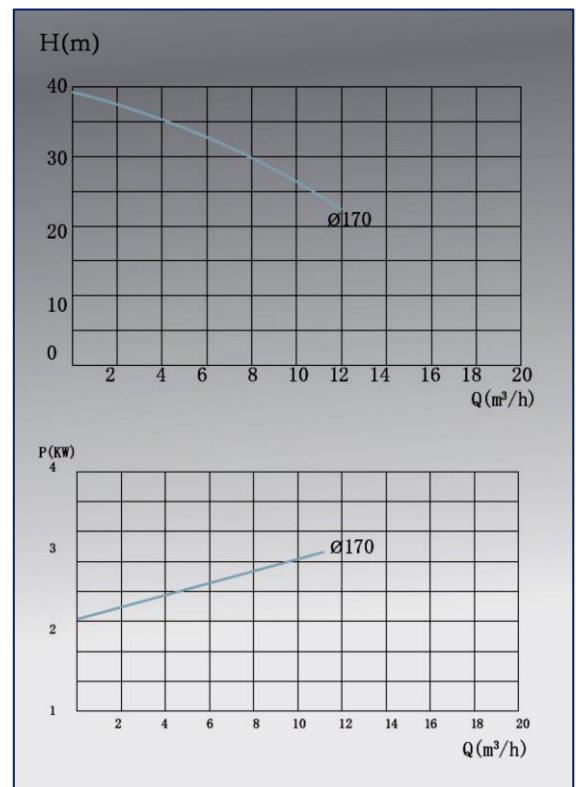


Performance

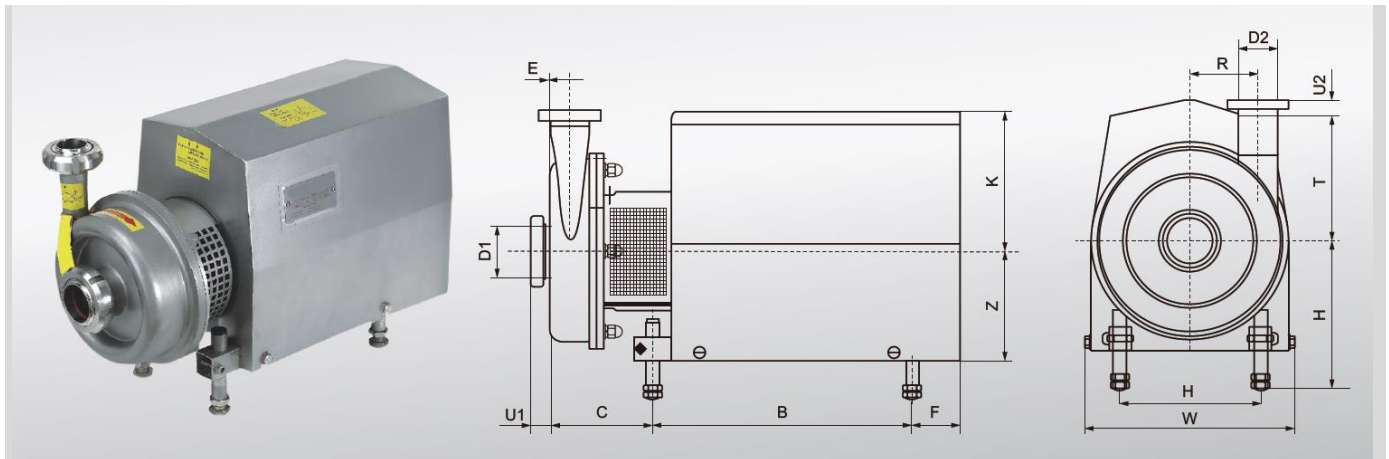
Rotating Speed: 2900 RPM	Inlet Diameter: ø38.1DN40	Outlet Diameter: ø25.4DN25	Impeller Diameter 170mm
-----------------------------	------------------------------	-------------------------------	----------------------------

Size (mm)	Motor Size			
	1.5kW	2.2kW	3kW	4kW
A	140	140	160	190
B	255	255	320	320
C	136.7	136.7	139.7	139.7
E	40	40	40	40
F	71.5	96.5	73.5	88.5
H (min)	180	180	195	207
H (max)	220	220	265	277
K	161.5	161.5	186.5	198.5
R	84.3	84.3	84.3	84.3
T	180	180	180	180
W	248	248	272	272
Z	120	120	135	148
Weight (kg)	43	47	59	69

Size (mm)	ISO	DIN	SMS	DIN
D1	38	DN40	38	DN40
U1	21.5	23	20	24
D2	22.4	DN25	22	DN25
U2	21.5	23	20	24



WPD-08 Sanitary Centrifugal Pump

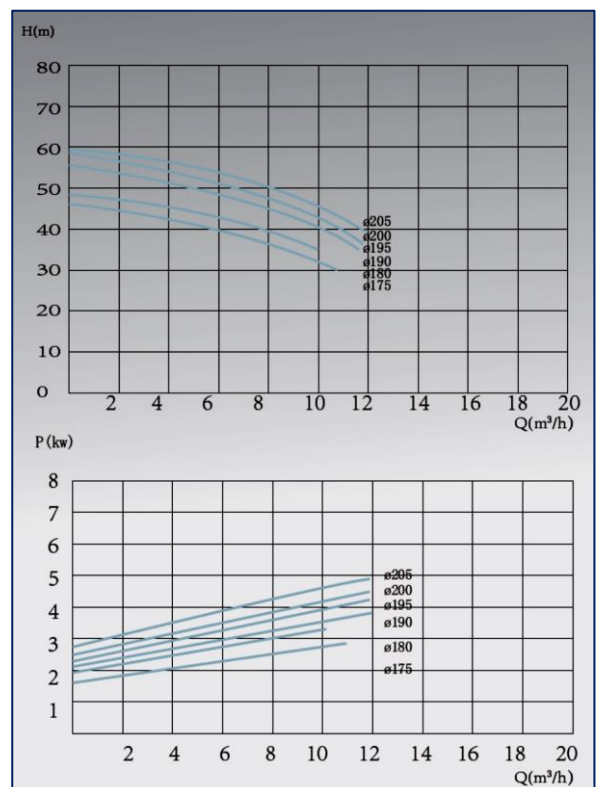


Performance

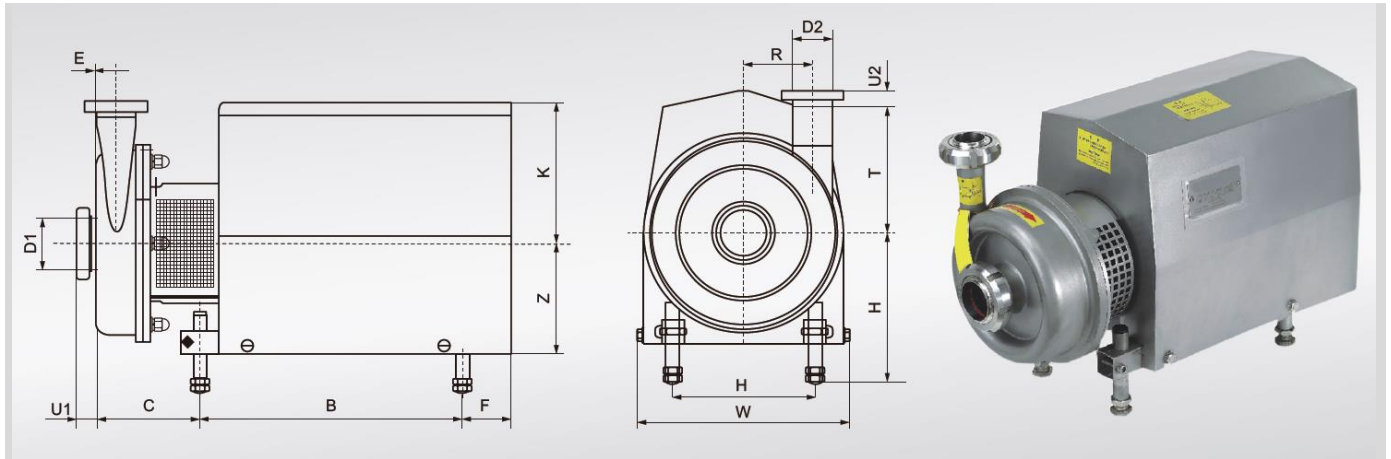
Rotating Speed: 2900 RPM	Inlet Diameter: ø38.1DN40	Outlet Diameter: ø25.4DN25	Impeller Diameter 175 -205mm
-----------------------------	------------------------------	-------------------------------	---------------------------------

Size (mm)	Motor Size			
	3kW	4kW	5.5kW	7.5kW
A	160	190	216	216
B	320	320	400	400
C	139.7	139.7	144.7	144.7
E	40	40	40	40
F	73.5	88.5	72.5	112.5
H (min)	195	207	215	215
H (max)	265	277	305	305
K	186.5	198.5	215.5	215.5
R	102.8	102.8	102.8	102.8
T	180	180	180	180
W	272	272	322	322
Z	135	147	167	167
Weight (kg)	61	72	90	96

Size (mm)	ISO	DIN	SMS	DIN
D1	38	DN40	38	DN40
U1	21.5	23	20	24
D2	22.4	DN25	22	DN25
U2	21.5	23	20	24



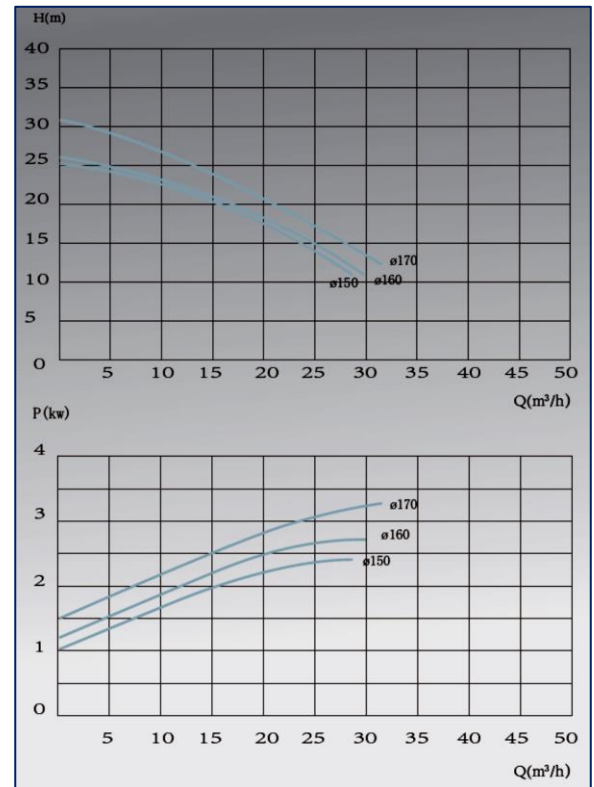
WPD-10 Sanitary Centrifugal Pump



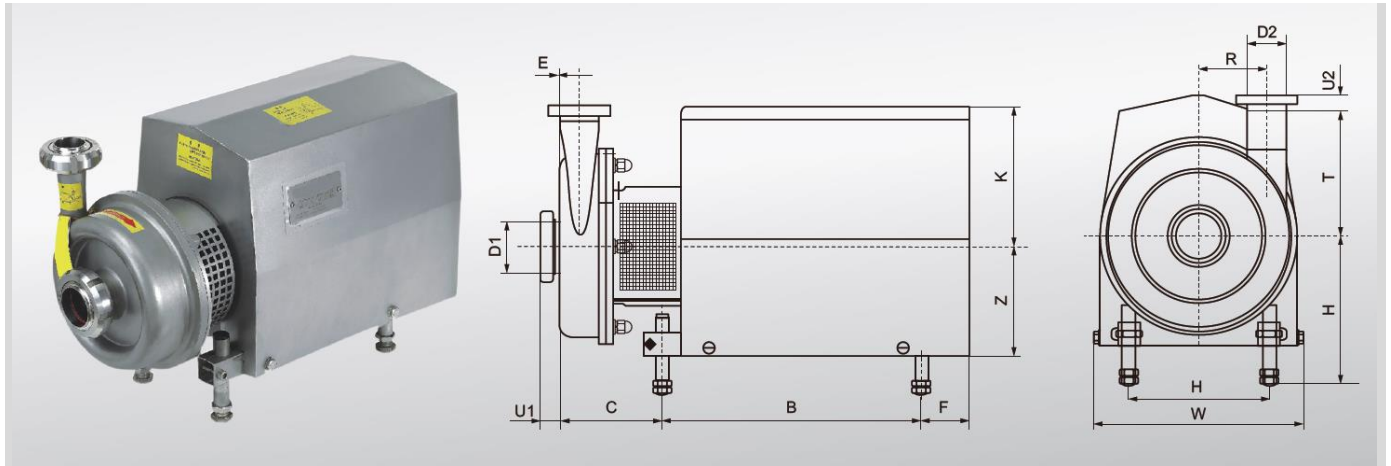
Performance			
Rotating Speed: 2920 RPM	Inlet Diameter: Ø50.8DN50	Outlet Diameter: Ø38.1DN40	Impeller Diameter 150 -170mm

Size (mm)	Motor Size			
	1.5kW	2.2kW	3kW	4kW
A	140	140	160	190
B	255	255	320	320
C	136.5	136.5	139.5	139.7
E	31	31	31	31
F	71.5	96.5	73.5	88.5
H (min)	180	180	195	207
H (max)	220	220	265	277
K	161.5	161.5	186.5	198.5
R	88	88	88	88
T	137	137	137	137
W	248	248	272	272
Z	120	120	135	147
Weight (kg)	39	43	54	63

Size (mm)	ISO	DIN	SMS	DIN
D1	51	DN50	51	DN50
U1	21.5	24	20	24
D2	38	DN40	38	DN40
U2	21.5	23	20	24



WPD-12 Sanitary Centrifugal Pump

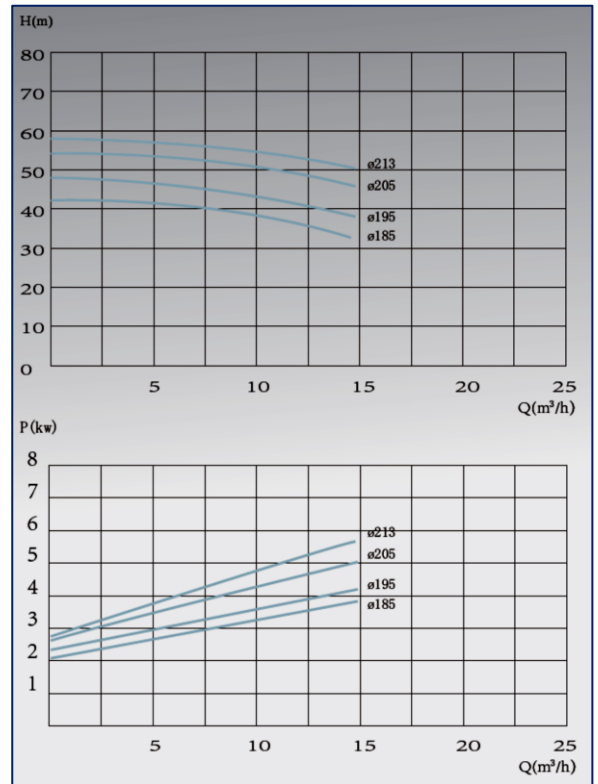


Performance

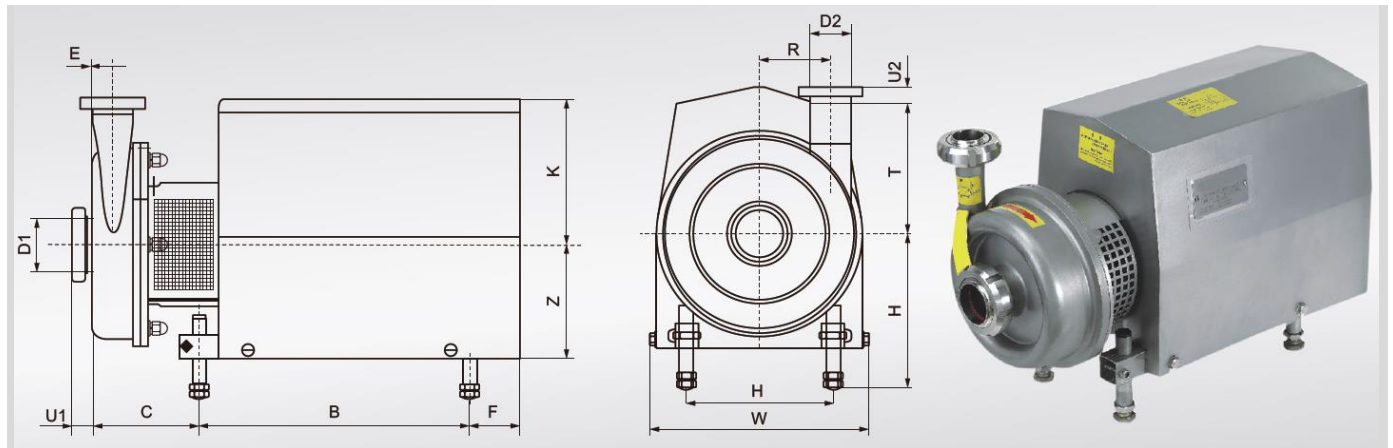
Rotating Speed: 2900 RPM	Inlet Diameter: Ø47.8DN50	Outlet Diameter: Ø28.8DN32	Impeller Diameter 185-213mm
-----------------------------	------------------------------	-------------------------------	--------------------------------

Size (mm)	Motor Size			
	3kW	4kW	505kW	705kW
A	160	190	216	216
B	320	320	400	400
C	142.2	142.2	147.2	147.2
E	35.5	35.5	35.5	35.5
F	73.5	88.5	72.5	112.5
H (min)	195	207	215	215
H (max)	265	277	305	305
K	186.5	198.5	215.5	215.5
R	109	109	109	109
T	170	170	170	170
W	272	272	322	322
Z	135	147	167	167
Weight (kg)	61	70	94	102

Size (mm)	ISO	DIN	SMS	DIN
D1	51	DN50	51	DN50
U1	21.5	23	20	24
D2	32	DN32	32	DN32
U2	21.5	23	20	24



WPD-13 Sanitary Centrifugal Pump

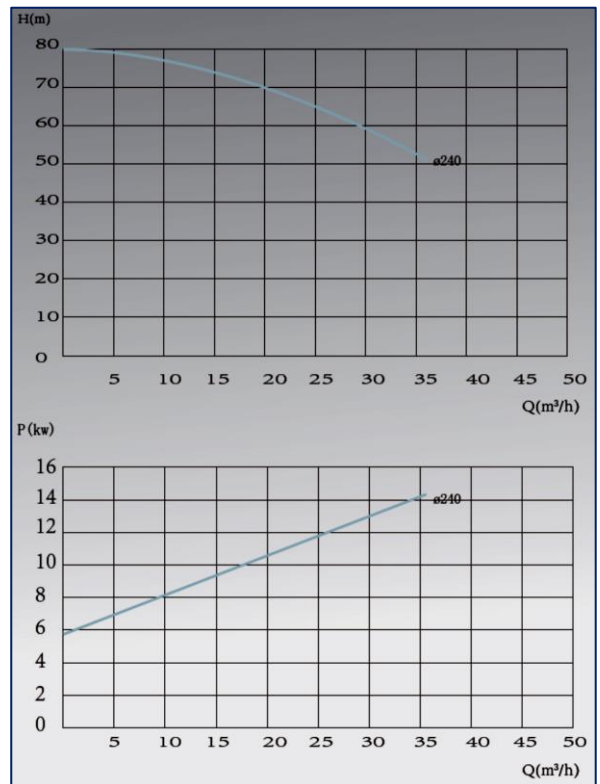


Performance

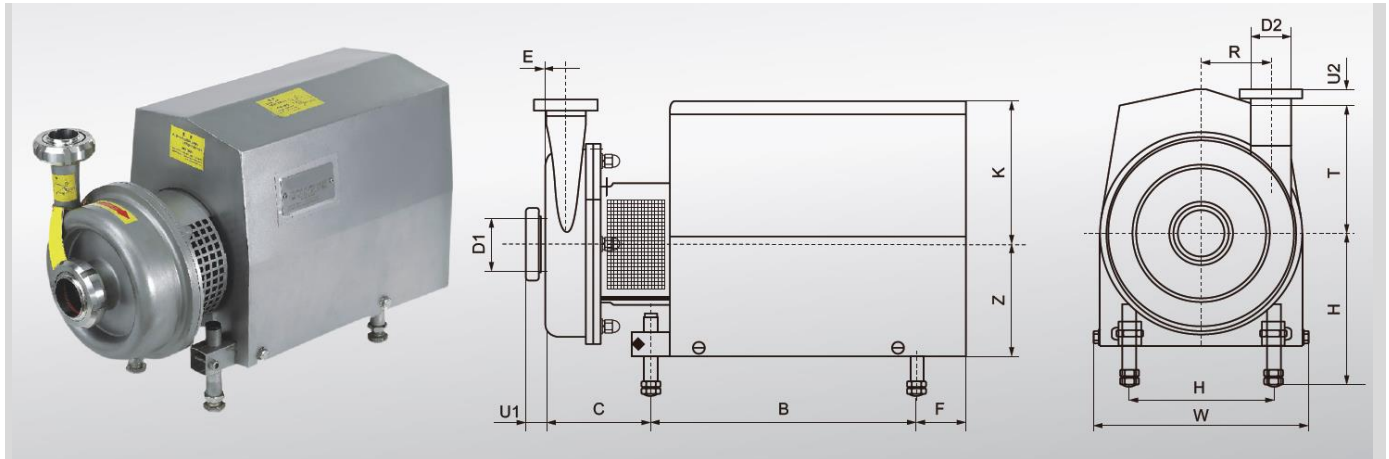
Rotating Speed: 2920 RPM	Inlet Diameter: Ø47.8DN50	Outlet Diameter: Ø28.8DN32	Impeller Diameter 240mm
-----------------------------	------------------------------	-------------------------------	----------------------------

Size (mm)	Motor Size	
	11kW	15kW
A	254	254
B	482	482
C	179.2	179.2
E	35.5	35.3
F	95.5	95.5
H (min)	238	238
H (max)	330	330
K	269.5	269.5
R	126.2	126.2
T	170	170
W	372	372
Z	195	195
Weight (kg)	159	169

Size (mm)	ISO	DIN	SMS	DIN
D1	51	DN51	51	DN51
U1	21.5	24	20	24
D2	32	DN32	32	DN32
U2	21.5	23	20	24



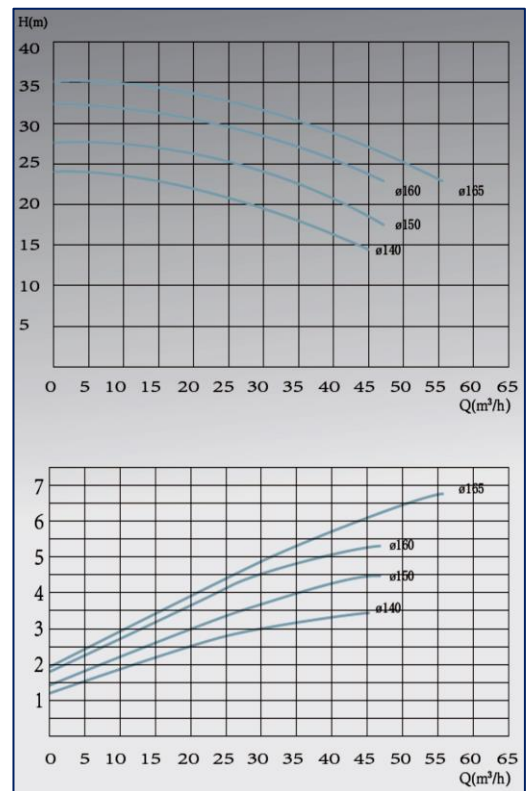
WPD-15 Sanitary Centrifugal Pump



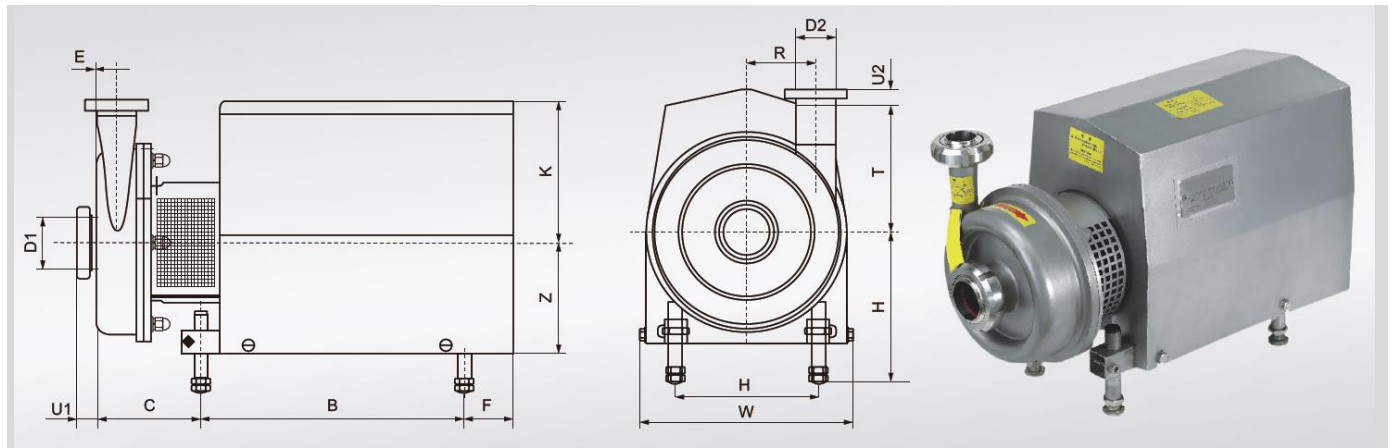
Performance			
Rotating Speed: 2920 RPM	Inlet Diameter: Ø63.5DN65	Outlet Diameter: Ø50.8DN50	Impeller Diameter 120-165mm

Size (mm)	Motor Size				
	2.2kW	3kW	4kW	5.5kW	7.5kW
A	140	160	190	216	216
B	255	320	320	400	400
C	146.5	149.5	149.5	154.5	154.5
E	32	32	32	32	32
F	96.5	73.5	88.5	72.5	112.5
H (min)	180	195	207	215	215
H (max)	220	265	277	305	305
K	161.5	186.5	198.5	215.5	215.5
R	85	85	85	85	85
T	142	142	142	142	142
W	248	272	272	322	322
Z	120	135	147	167	167
Weight (kg)	45	57	68	85	92

Size (mm)	ISO	DIN	SMS	DIN
D1	63.5	DN65	63.5	DN65
U1	21.5	26	24	24
D2	51	DN50	51	DN50
U2	21.5	24	20	24



WPD-18 Sanitary Centrifugal Pump

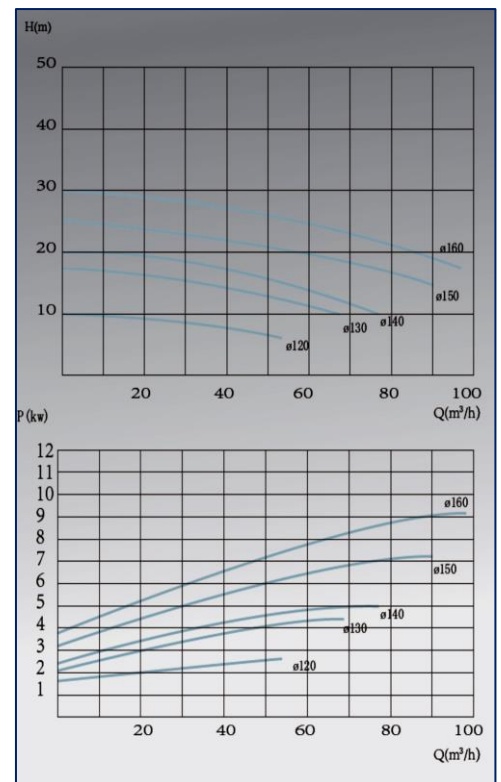


Performance

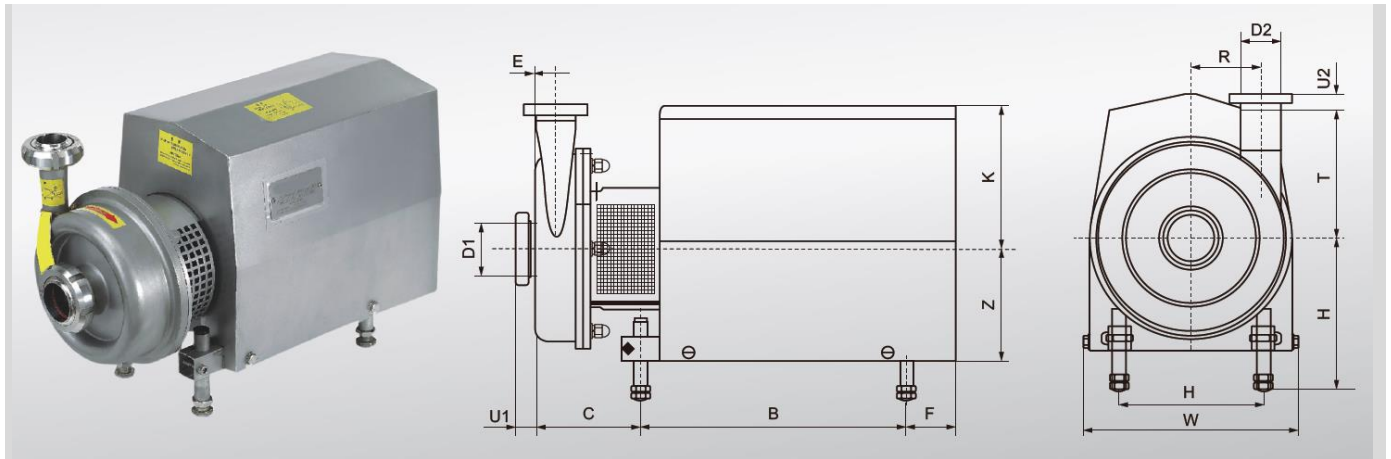
Rotating Speed: 2920 RPM	Inlet Diameter: Ø101.6DN100	Outlet Diameter: Ø76.1DN80	Impeller Diameter 120-160mm
-----------------------------	--------------------------------	-------------------------------	--------------------------------

Size (mm)	Motor Size				
	2.2kW	3kW	4kW	5.5kW	7.5kW
A	160	190	216	216	254
B	320	320	400	400	482
C	163.5	163.5	168.5	168.5	200
E	38.5	38.5	38.5	38.5	38.5
F	73.5	88.5	72.5	112.5	95.5
H (min)	195	207	215	216	238
H (max)	265	277	305	305	330
K	186.5	198.5	215.5	215.5	269.5
R	73	73	73	73	73
T	180	180	180	180	180
W	272	272	322	322	372
Z	135	147	167	167	195
Weight (kg)	57	68	88	150	161

Size (mm)	ISO	DIN	SMS	DIN
D1	101.6	DN100	101.6	DN100
U1	28	31	35	24
D2	76.2	DN80	76.1	DN80
U2	21.5	26	24	24



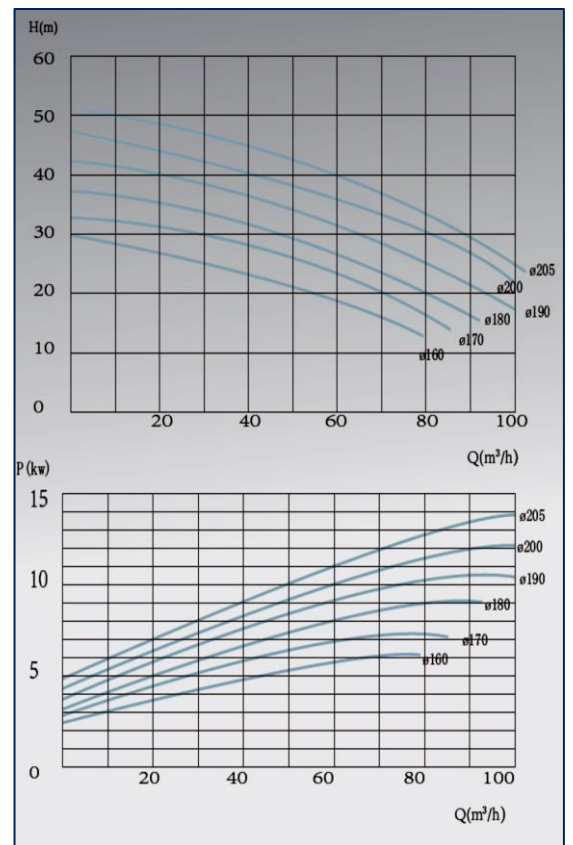
WPD-20 Sanitary Centrifugal Pump



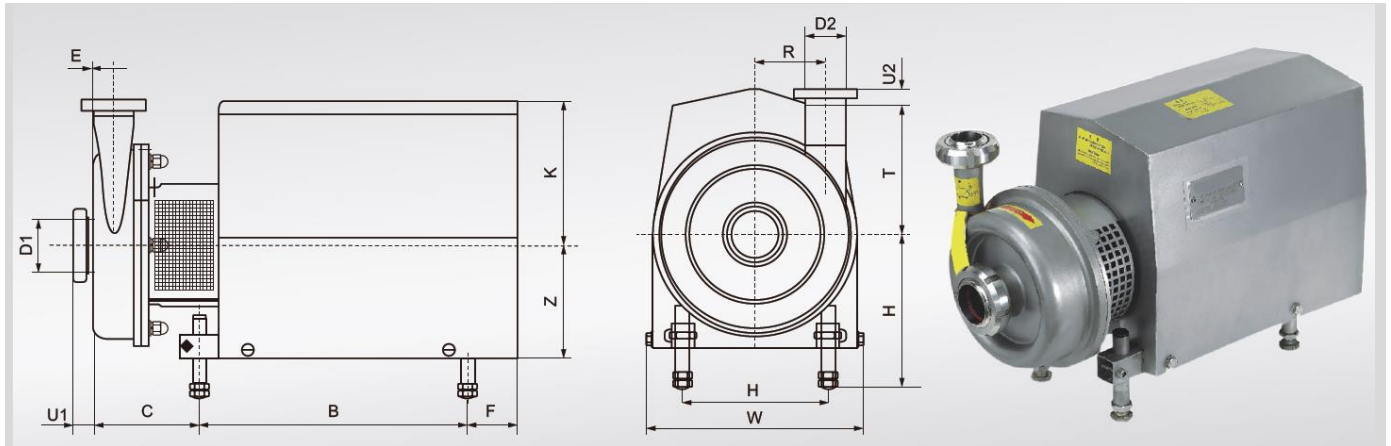
Performance			
Rotating Speed: 2917 RPM	Inlet Diameter: Ø76.1DN80	Outlet Diameter: Ø63.5DN65	Impeller Diameter 160-205mm

Size (mm)	Motor Size				
	4kW	5.5kW	7.5kW	11kW	15kW
A	190	216	216	254	254
B	320	400	400	482	462
C	154.5	159.5	159.5	191	191
E	32	32	32	32	32
F	88.5	72.5	112.5	95.5	95.5
H (min)	207	215	215	238	238
H (max)	277	305	305	330	330
K	198.5	215.5	215.5	269.5	269.5
R	106	106	106	106	106
T	193	193	193	193	193
W	272	322	322	372	372
Z	147	167	167	195	195
Weight (kg)	74	94	103	153	164

Size (mm)	ISO	DIN	SMS	DIN
D1	76.1	DN60	76.1	DN80
U1	21.5	26	24	24
D2	63.5	DN65	63.5	DN65
U2	21.5	26	24	24



WPD-25 Sanitary Centrifugal Pump



Performance			
Rotating Speed: 2917 RPM	Inlet Diameter: Ø101.6DN100	Outlet Diameter: Ø76.2DN80	Impeller Diameter 140-205mm

Size (mm)	Motor Size					
	4kW	5.5kW	7.5kW	11kW	15kW	18.5kW
A	190	216	216	254	254	254
B	320	400	400	482	482	482
C	165.5	170.5	170.5	202	202	202
E	38.5	38.5	38.5	38.5	38.5	38.5
F	88.5	72.5	112.5	95.5	95.5	140.5
H (min)	207	215	215	238	238	238
H (max)	277	305	305	330	330	330
K	198.5	215.5	215.5	269.5	269.5	269.5
R	100	100	100	100	100	100
T	200	200	200	200	200	200
W	272	322	322	372	372	372
Z	147	167	167	195	195	195
Weight (kg)	83	101	109	158	170	212

Size (mm)	ISO	DIN	SMS	DIN
D1	101.6	DN100	101.6	DN100
U1	28	31	35	24
D2	76.2	DN80	76.1	DN80
U2	21.5	26	24	24

